

KEF DATA SHEET

B110-B

Specification Number SP1057

Compact, long throw bass/mid range unit, suitable for use in either a compact full range system, or as a specialised mid range unit in a multi-way system.

Net weight: 1.13 kg (2.5 lb)

Nominal impedance: 8Ω

Nominal frequency range: 55-3,500 Hz

Typical enclosure volumes:

Totally enclosed box 5-10 litres (0.2-0.4 cu ft)

MF enclosure 4 litres (0.15 cu ft)

Power handling:

Continuous sine wave 28 V RMS (see note 1)

Programme full range 50 W (see note 2)

Programme mid range only 150 W (see note 2)

Magnet:

Flux density 1.0 T (11,000 gauss)

Total flux 5.8×10^{-4} Wb (58,000 Maxwells)

Sensitivity: Pink noise input for 96 dB SPL at 1 metre on axis 11.2 V RMS

Voice coil:

Diameter 26 mm (1 in)

Inductance 0.45 mH

Max continuous service temperature (30 min) 250°C

Max intermittent temperature (5 sec) 340°C

Thermal time constant 11 seconds

Thermal resistivity (temp rise per applied Watt) 6.2°C/W

Nominal DC Resistance, R_{DC} 7.1Ω (tolerance $\pm 10\%$)

Typical production spread $6.7 \pm 0.2\Omega$ (see note 3)

Minimum impedance (in nominal frequency range) 7.8Ω at 280 Hz

Diaphragm:

Effective area, S_D 92 cm² (14 sq in)

Effective moving mass, M_D 9.8 gm

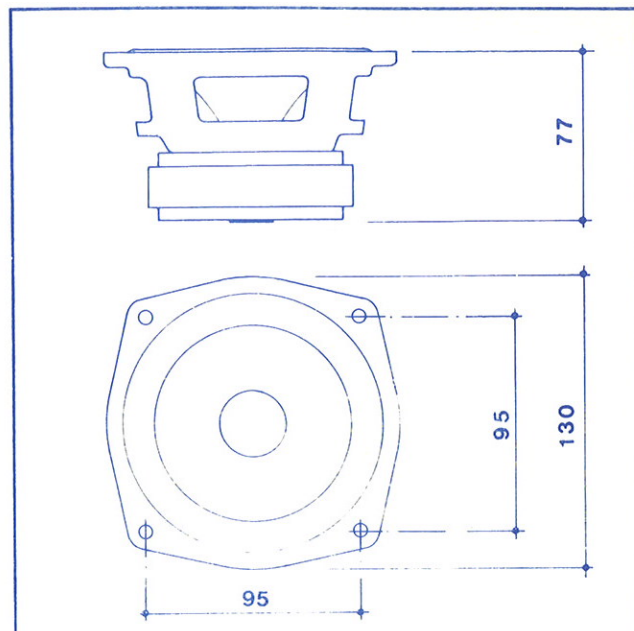
Max linear excursion, X_D 6 mm peak-peak ($\frac{1}{4}$ in)

Max damage limited excursion 12 mm peak-peak ($\frac{1}{2}$ in)

Free air resonance frequency, f_s :

Nominal 37 Hz (tolerance ± 5 Hz)

Typical production spread 38.0 ± 2.0 Hz (see note 3)



Total mechanical resistance of suspension, R_{MS} :
1.0 mech Ω

Suspension compliance, C_{MS} : 1.8×10^{-3} m/N
(1.8×10^{-6} cm/dyne)

Equivalent volume of compliance, V_{AS} : 23.6 litres
(1,440 cu in)

Force factor, Bl : 7.1 N/A

Damping:

Mechanical Q_M 2.44

Electrical Q_E 0.38

Total Q_T 0.33 (see note 4)

Notes

1 Continuous Power Rating (P_c).

$$P_c = \frac{V^2}{R}$$

V is the RMS voltage which can be applied to the unit continuously without thermal overload of the voice coil. At low frequencies the continuous power rating of the speaker may be reduced because of limitations imposed on diaphragm excursion by the acoustic loading.

2 The programme rating of a unit is equal to the maximum programme rating of any system with which the unit may be safely used in conjunction with the recommended dividing network and enclosure.

The programme rating of any system is the undistorted power output of an amplifier with which the system may be satisfactorily operated on normal programme over an extended period of time.

3 "Typical production spread" is derived from statistical analysis of a large number of units, and is calculated to include 95% of all units.

$$Q_M = \frac{2\pi f_s M_D}{R_{MS}} \quad Q_E = \frac{2\pi f_s M_D}{(Bl)^2/R_{DC}} \quad \frac{1}{Q_T} = \frac{1}{Q_M} + \frac{1}{Q_E}$$

KEF Electronics Limited Tovil Maidstone ME15 6QP England ☎ 0622 672261

KEF reserve the right to incorporate developments and amend the specification without prior notice, in line with continuous research and product improvement.

PL346 EN01